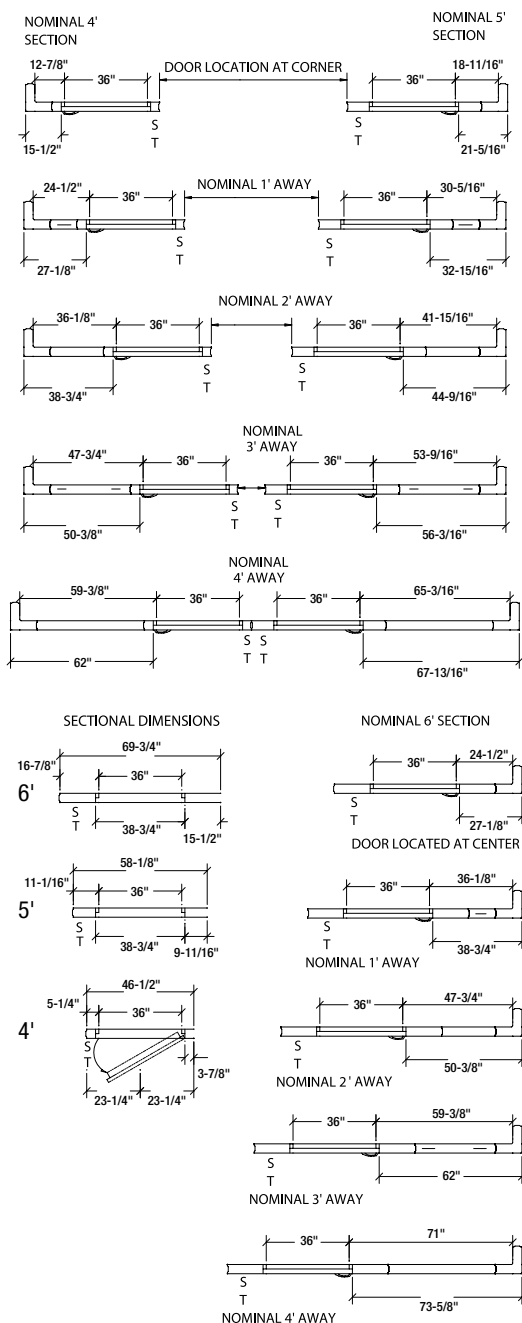


# Door and Section Dimensions



**Harford**

## Section Dimensions



**Note:**

1. Minimum aisle space of 42" required for swing.
2. Allow 23-1/4" (minimum) from center of door to clear hardware – both sides.

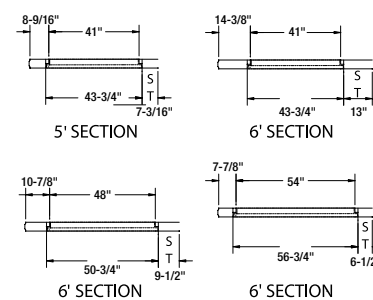
Harford Duracool's standard size entrance door has a net opening of 36" x 76": in walk-ins of 7' 2-1/2" or 7' 6-1/2" height and 36" x 78" in structures of greater height. The 36" clear opening meets ADA requirements.

Harford Duracool offers three (3) section sizes for a variety of standard 36" entrance door locations. The following dimensional data will assist in layout of interior shelving and placement of outside equipment. **Note:** Add 1" to dimension shown for 34" door, 2" for 32" door, and 3" for 30" door.

In addition to the popular 36" door size, Harford Duracool offers entrance doors in 30", 32", 41", 48" and 54" net width. (Harford Duracool's 60" wide door is provided with an independent frame assembly).

The 30", 32" and 36" door can be supplied in either a nominal 4', 5' or 6' section – the 41" door is available in either a 5' or 6' section – the 48" and 54" door in 6' section only. To plot exact opening location, add the flooring jamb dimensions to adjacent corner and wall(s) size.

## Door Dimensions

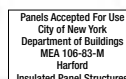
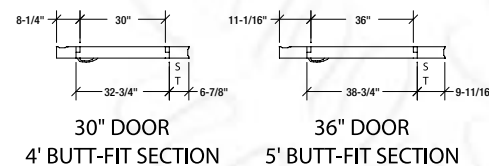


**Note:**

1. Add 5-1/4" to outside door pan size for "clear" swing space.
2. Allow 6-3/4" (minimum) on both sides of outside door pan to clear hardware.

## Butt fit Door Options

In a 4' section with 30" door. In a 5' section with 36" door. Premium pricing - call factory for pricing.



## High-Quality Walk-ins

Walk-in Coolers & Freezers • Refrigeration Systems • Refrigerated Warehouses

HARFORD DURACOOOL LLC 2129 Pulaski Hwy, P.O. Box 1026, Aberdeen, MD 21001, USA  
 Ph: 800-638-7620 • Fax: 410-272-8508 Visit us online at [www.harfordduracool.com](http://www.harfordduracool.com)

©2004 Harford 2679 - 6/04 Continuing product improvement may necessitate change of specifications without notice.

